

FRIGGITRICI ELETTRICHE ELETTRONICHE 23L E900XP
ELECTRIC ELECTRONIC FRYERS 23L E900XP

PNC	Description	Ref	Brand	VOLTAGE
391339	23LT EL. FRYER PROGRAMMABLE	A	ELX	380-415 3+N
391340	23LT EL. FRYER-PROGR.+ PUMP	B	ELX	380-415 3+N
391341	23LT EL. FRYER-PROG.+PUMP+LIFT	C	ELX	400-430V 3+N
391345	23L EL. FRYER-PROG.+PUMP+LIFT.+AUTO	D	ELX	400-430V 3+N
391386	23LT EL. FRYER PROGRAMMABLE-430V	E	ELX	415-430 3+N
391387	23LT EL. FRYER-PROGR.+ PUMP-430V	F	ELX	415-430 3+N
391388	23LT EL. FRYER-PROG.+ PUMP+LIFT.	G	ELX	380-415 3+N
391390	23L EL. FRYER-PROG.+PUMP+LIFT.+AUTO COOK-430V	H	ELX	400-430V 3+N
392339	23LT EL. FRYER PROGRAMMABLE	I	ZAN	380-415 3+N
392340	23LT EL. FRYER-PROGR.+ PUMP	J	ZAN	380-415 3+N
392341	23LT EL. FRYER-PROG. + PUMP+LIFT.	K	ZAN	380-415 3+N
392345	23L EL. FRYER-PROG.+PUMP+LIFT.+AUTO	L	ZAN	400-430V 3+N
392386	23LT EL. FRYER PROGRAMMABLE-430V	M	ZAN	415-430 3+N
392387	23LT EL. FRYER-PROGR.+ PUMP-430V	N	ZAN	415-430 3+N
392388	23LT EL. FRYER-PROG.+ PUMP+LIFT.-430V	O	ZAN	415-430 3+N
392390	23L EL. FRYER-PROG.+PUMP+LIFT.+AUTO COOK-430V	P	ZAN	400-430V 3+N
393339	23LT EL. FRYER PROGRAMMABLE	Q	OEM	380-415 3+N
393340	23LT EL. FRYER-PROGR.+ PUMP	R	OEM	380-415 3+N
393341	23LT EL. FRYER-PROG.+ PUMP+LIFT.	S	OEM	380-415 3+N
393345	23L EL. FRYER-PROG.+PUMP+LIFT.+AUTO	T	OEM	400-430V 3+N
393386	23LT EL. FRYER PROGRAMMABLE-430V	U	OEM	415-430 3+N
393387	23LT EL. FRYER-PROGR.+ PUMP-430V	V	OEM	415-430 3+N
393388	23LT EL. FRYER-PROG.+ PUMP+LIFT.-430V	W	OEM	415-430 3+N
393390	23L EL. FRYER-PROG.+PUMP+LIFT.+AUTO COOK-430V	X	OEM	400-430V 3+N

Index

General components / Componenti struttura
Electric components / Componenti elettrici
Well components / Componenti vasca
Lifting & Pump components / Componenti
Spare parts list / Lista ricambi

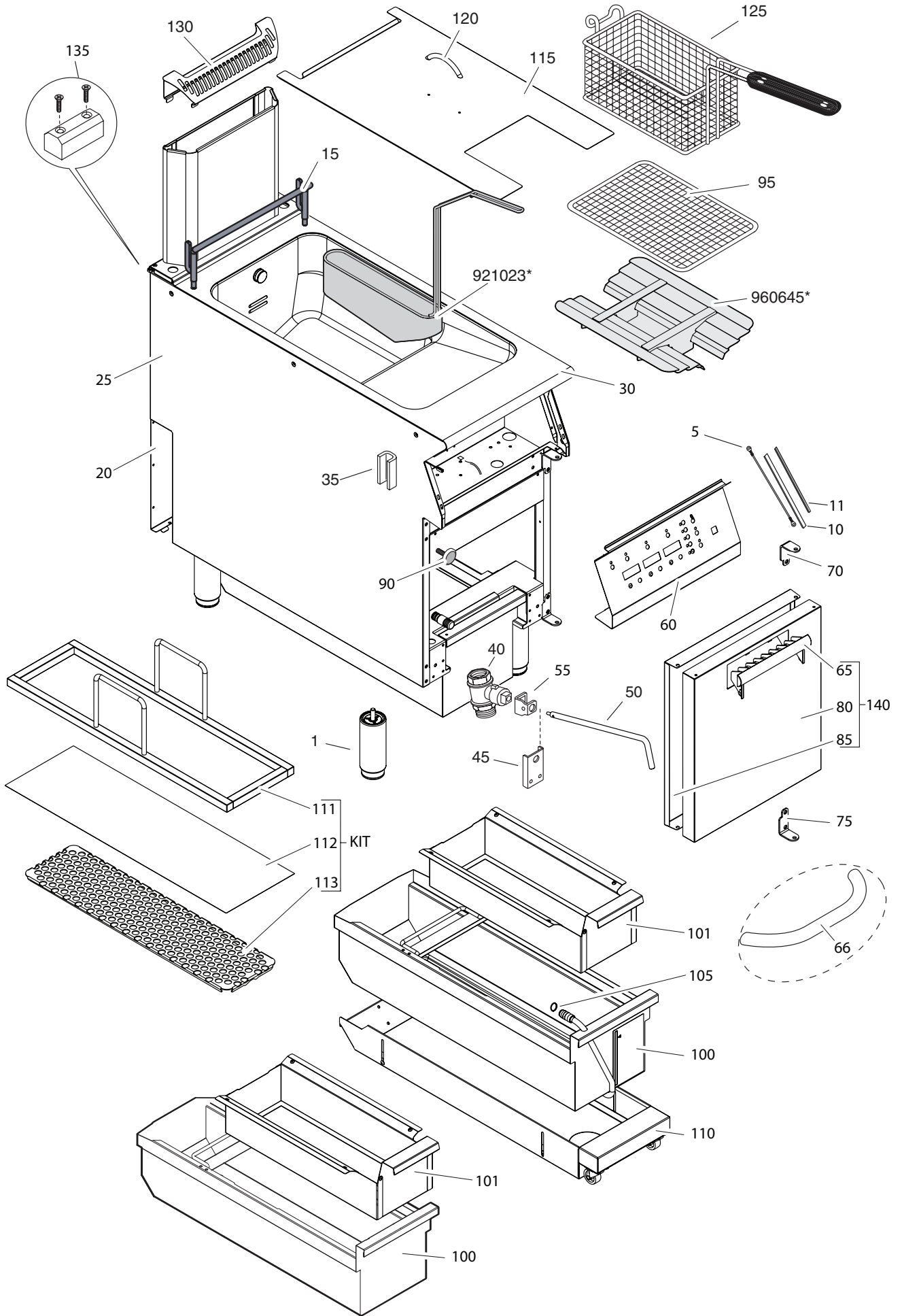
Page

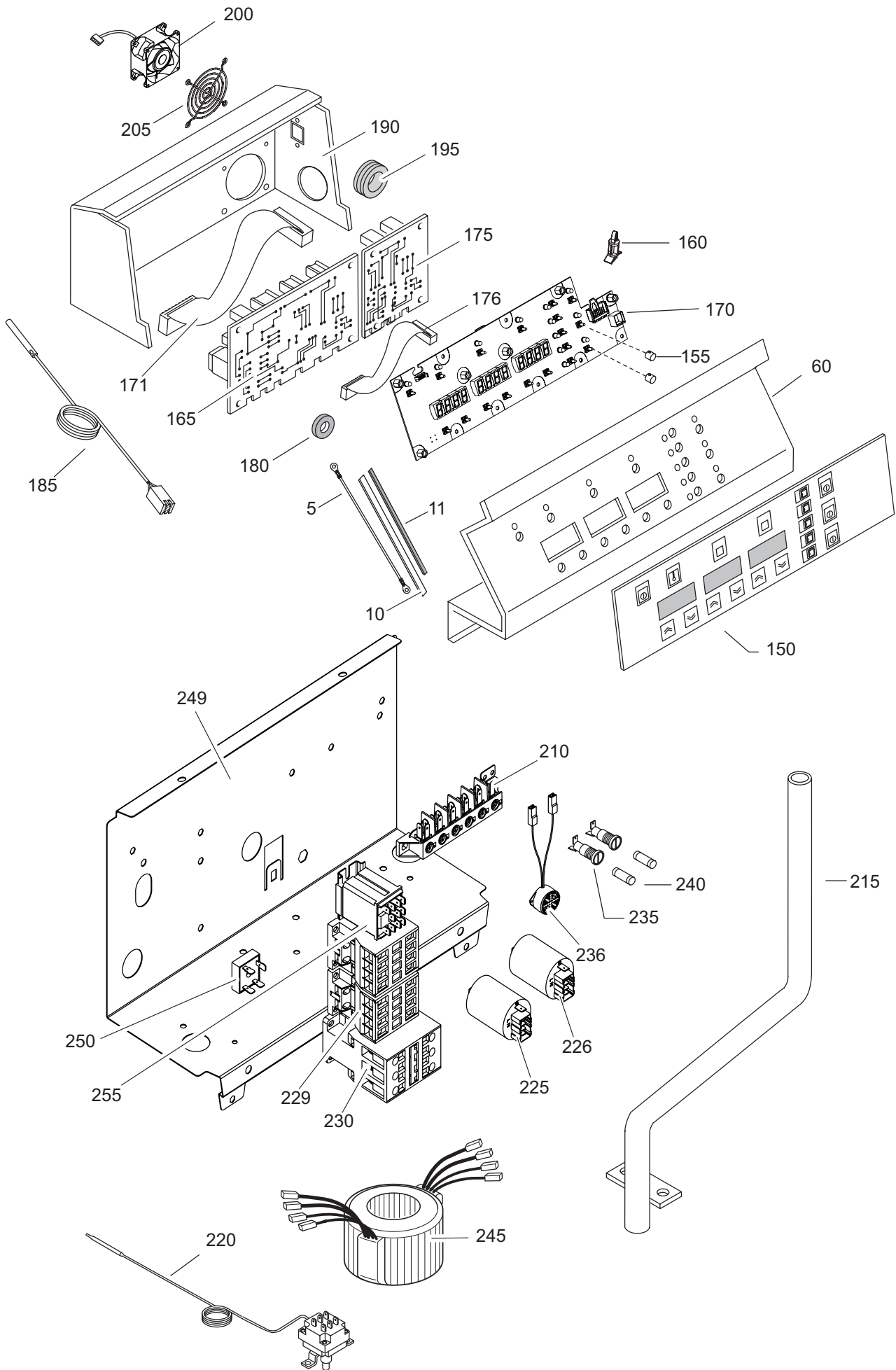
2
3
4
5
6-9

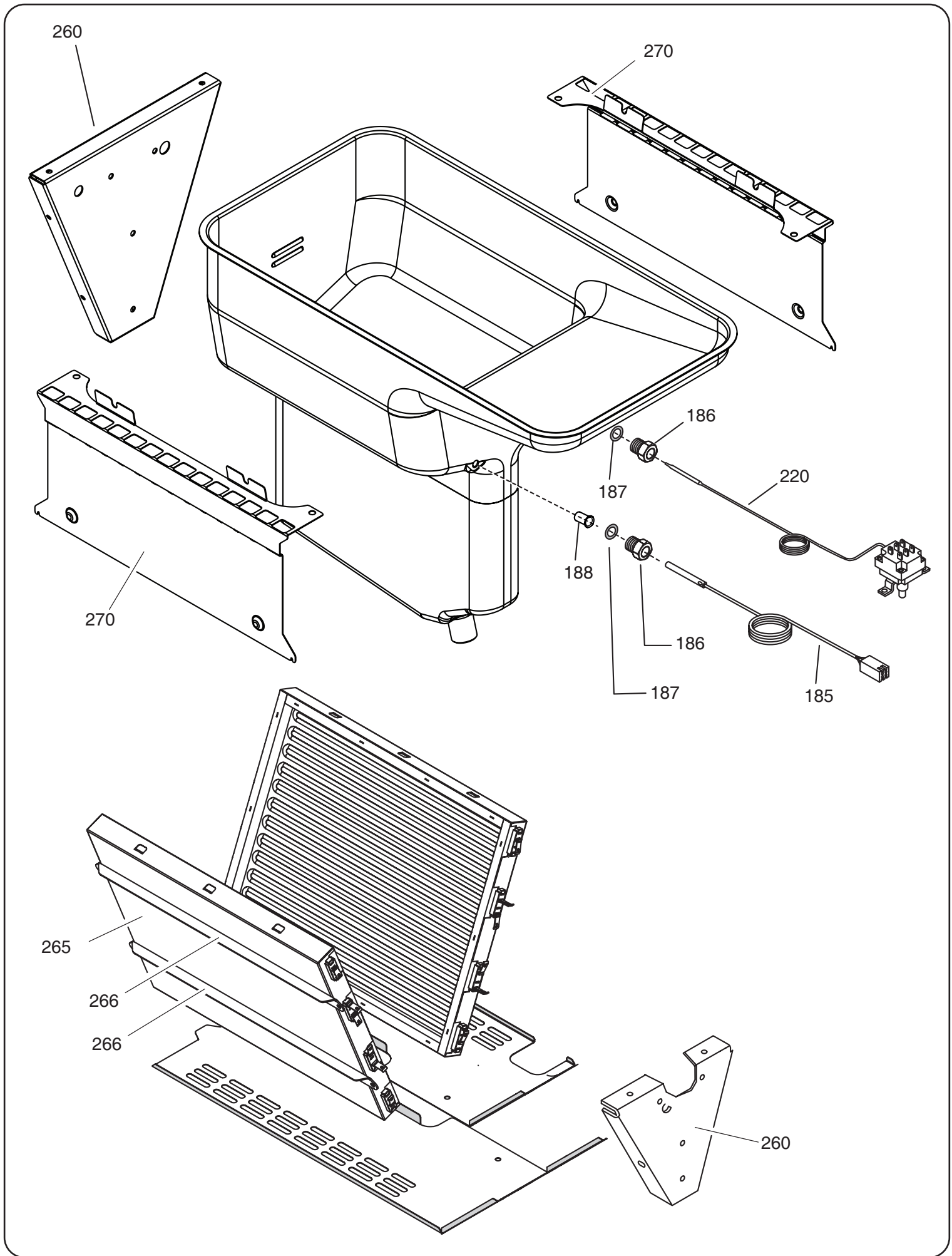
Bold=last change / Grassetto =ultima modifica

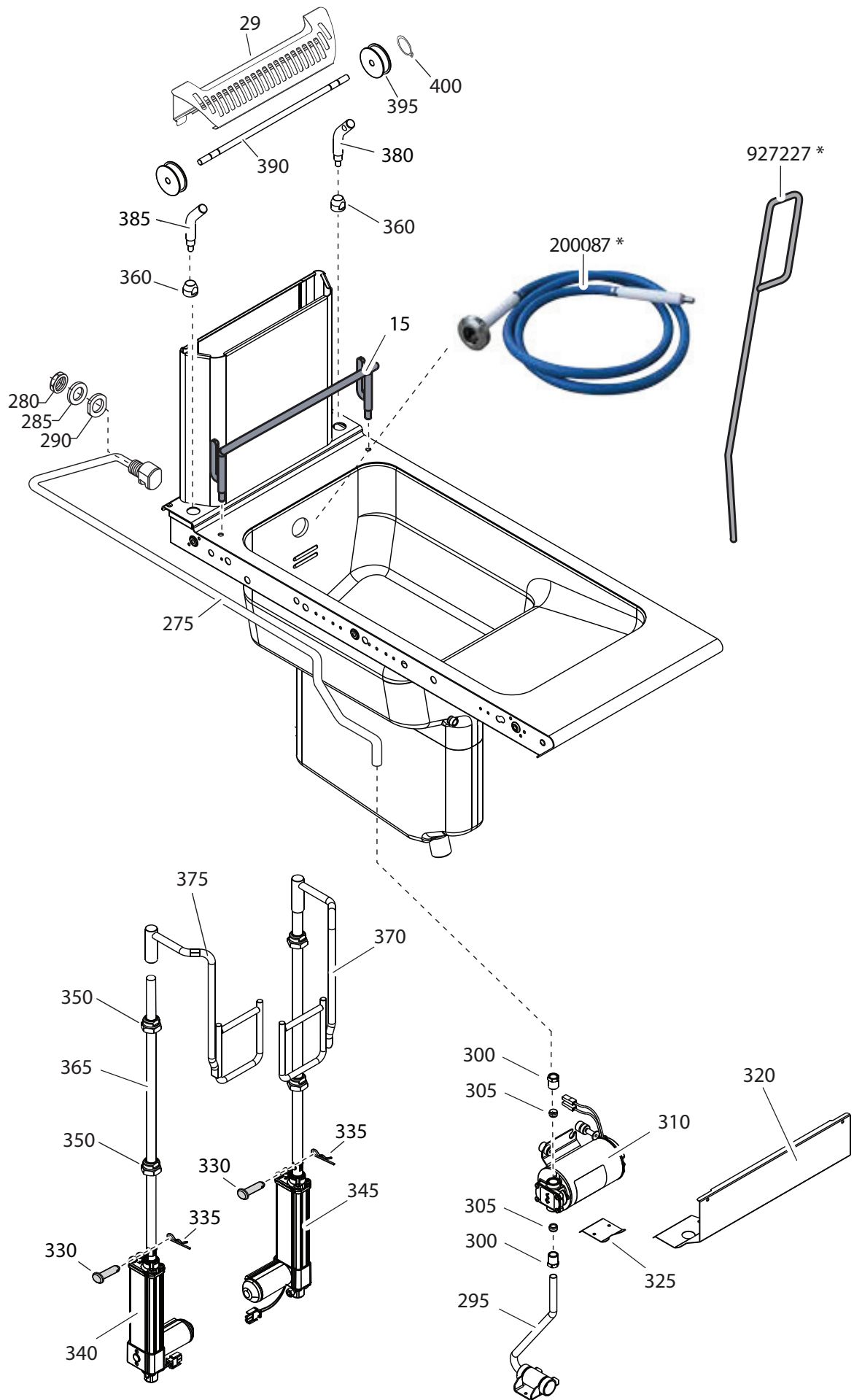
Rev. 4

From Ser. Nr.8041 Up to Ser. Nr.	Ed. 2018-10 Updated 2022-04	Page: 1	Doc No:59785VY00
-------------------------------------	--------------------------------	---------	-------------------------









FRIGGITRICI ELETTRICHE ELETTRONICHE 23L E900XP
ELECTRIC ELECTRONIC FRYERS 23L E900XP

Pos	Spare Code	Factory Code	Descrizione	Description	Ref./Notes
1	0C0204	835856901	PIEDE	FOOT	
5	0C7366	830825901	CAVETTO SOSTEGNO CRUSCOTTO	SUPPORT CABLE, CONTROL PANEL	
10	0C7307	543831700	GUARNIZIONE - BIANCO	WHITE GASKET	SILIC.5X10MM
11	0C2496	543821900	GUARNIZIONE - GRIGIA	GRAY GASKET	SPONGE 6X2MM
15	006583	516847804	SUPPORTO CESTELLO	BASKET SUPPORT	A, B, E, F, I, J, M, N, Q, R, U, V
20	0CB367	5038AGG01	SCHIENALE	BACK PANEL	C,D,G,H,K,L,O,P,S,T,W,X
20	0CA081	538844701	SCHIENALE	BACK PANEL	A,B,E,F,I,J,M,N,Q,R,U,V
25	0CB153	85089JC01	ASS. FIANCO DX	RIGHT PANEL	A, B, C, D, E, F, G, H
25	0C8181	85089JD02	ASS. FIANCO SX	LEFT PANEL	A, B, C, D, E, F, G, H
25	0CB368	85089JF01	ASS. FIANCO DX	RIGHT PANEL	I, J, K, L, M, N, O, P, Q, R, S, T, U, V, W, X
25	0CB369	85089JG02	ASS. FIANCO SX	LEFT PANEL	I, J, K, L, M, N, O, P, Q, R, S, T, U, V, W, X
30	0CB370	87089RT02	ASS.VASCA FRIGG.23L	COMPLETE WELL FRYER 23L	B, F
30	0CB371	87089RU01	ASS.VASCA FRIGG.23L	COMPLETE WELL FRYER 23L	C, D, G, H
30	0CB372	87089RW00	ASS.VASCA FRIGG.23L	COMPLETE WELL FRYER 23L	A, E
30	0CB373	87089RX00	ASS.VASCA FRIGG.23L	COMPLETE WELL FRYER 23L	K, L, O, P, S, T, W, X
30	0CB374	87089RY00	ASS.VASCA FRIGG.23L	COMPLETE WELL FRYER 23L	J, N, R, V
30	0CB375	87089RZ00	ASS.VASCA FRIGG.23L	COMPLETE WELL FRYER 23L	I, M, Q, U
35	0C0156	527850500	PIASTRA FISSAGGIO FIANCHI	SIDE PANEL JOINTING PLATE	
40	006688	835855000	VALVOLA SCARICO	DRAIN VALVE	
45	*	50589K700	SUPPORTO LEVA SCARICO	SUPPORT, DRAIN EXTENSION	
50	0C0608	516868800	PROLUNGA LEVA SCARICO	DRAIN EXTENSION HANDLE	
55	006877	508897004	CONNESSIONE PROLUNGA SCARICO	CONNECTION, DRAIN EXTENSION	
60	0C7220	87089CU03	CRUSCOTTO MARCHIATO (no adesivo)	CONTROL PANEL BRANDED	WITHOUT STICKER: A, B, C, D, E, F, G, H
60	0C7631	87089M902	CRUSCOTTO MARCHIATO (no adesivo)	CONTROL PANEL BRANDED	WITHOUT STICKER: I, J, K, L, M, N, O, P
60	0C7635	87089MG03	CRUSCOTTO MARCHIATO (no adesivo)	CONTROL PANEL BRANDED	WITHOUT STICKER: Q, R, S, T, U, V, W, X
65	0C8769	54887AH00	MANIGLIA PORTA	DOOR HANDLE	ELUX: A, B, C, D, E, F, G, H
66	0C8190	54887A802	MANIGLIA PORTA	DOOR HANDLE	ZAN: I, J, K, L, M, N, O, P
66	0A5021	854864203	MANIGLIA PORTA	DOOR HANDLE	OEM: Q, R, S, T, U, V, W, X
70	0C0139	516860901	CERNIERA SUPERIORE	HINGE, UPPER	
75	0C0138	516860801	CERNIERA INFERIORE	HINGE, LOWER	
80	0C7157	50389G300	PANNELLO PORTA DESTRA	RIGHT DOOR PANEL	A, B, C, D, E, F, G, H, I, J, K, L, M, N, O, P
80	*	50389MB01	PANNELLO PORTA DESTRA	RIGHT DOOR PANEL	Q, R, S, T, U, V, W, X
85	0C7158	50489CQ00	PANNELLO CONTROPORTA	INNER DOOR PANEL	
90	0C0201	830898201	MAGNETE PER PORTA	MAGNET, DOOR	
95	006130	830884701	GRIGLIA DI FONDO	WELL GRID	
100	0CB341	87589G400	BACINELLA OLIO (CON POMPA)	BASIN FOR OIL (WITH PUMP)	B, C, D, F, G, H, I, J, K, L, N, O, P, R, T, U, V, W, X
100	0CB342	87589FL01	BACINELLA OLIO (SENZA POMPA)	BASIN FOR OIL (WITHOUT PUMP)	A, E, I, M, Q, U
101	0CB343	85589HC02	FILTRO OLIO (CASSETTINO)	OIL FILTER (SMALL TRAY)	
105	0C2183	543826400	OR (INNESTO PER POMPA)	O-RING (PUMP JOINT)	3PCS NEEDED B, C, D, F, G, H, I, J, K, L, N, O, P, R, T, U, V, W, X

FRIGGITRICI ELETTRICHE ELETTRONICHE 23L E900XP
ELECTRIC ELECTRONIC FRYERS 23L E900XP

Pos	Spare Code	Factory Code	Descrizione	Description	Ref./Notes
110	0CB344	87589F202	ASSIEME CARRELLO BACINELLA	COMPLETE BASIN TROLLEY	
111	0CB346	51489FL01	PRESSORE	FILTER WEIGHT	111+113 = KIT 200084
112	0CB513	142800000	FILTRO CARTA	PAPER FILTER	KIT 200085 (ONLY PAPER, 100PCS IN KIT)
113	0CB347	50489WY00	SUPPORTO FILTRO CARTA	SUPPORT, PAPER FILTER	111+113 = KIT 200084
115	0C1014	529889901	COPERCHIO FRIGG.	LID	C, D, G, H, K, L, O, P, S, T, W, X
115	0C0613	529890101	COPERCHIO FRIGG.	LID	A, B, E, F, I, J, M, N, Q, R, U, V
120	0C0614	511819000	MANIGLIA COPERCHIO	HANDLE, LID	
125	006133	850894500	CESTELLO	BASKET	
130	0C7161	50489JL00	GRIGLIA CAMINO	GRID, CHIMNEY	
135	0C0137	516860702	PIASTRA GIUNZIONE APPARECC.	JOINTING REAR PLATE	
140	0C7163	85589CT03	ASS.PORTINA +MANIGLIA	COMPLETE DOOR WITH HANDLE	A, B, C, D, E, F, G, H
140	0C7165	85589CU05	ASS.PORTINA+MANIGLIA	COMPLETE DOOR WITH HANDLE	I, J, K, L, M, N, O, P
140	0C7627	85589CV02	ASS.PORTINA+MANIGLIA	COMPLETE DOOR WITH HANDLE	Q, R, S, T, U, V, W, X
150	0CB383	54887BU02	MEMBRANA ADESIVA	USER BOARD STICKER	A, E
150	0CB348	54887BV01	MEMBRANA ADESIVA	USER BOARD STICKER	B, F
150	0CB349	54887BW01	MEMBRANA ADESIVA	USER BOARD STICKER	C, G
150	0CB384	54887BY02	MEMBRANA ADESIVA	USER BOARD STICKER	D, H
150	0CB352	54887C201	MEMBRANA ADESIVA	USER BOARD STICKER	I, M
150	0CB351	54887C101	MEMBRANA ADESIVA	USER BOARD STICKER	J, N
150	0CB350	54887C001	MEMBRANA ADESIVA	USER BOARD STICKER	K, O
150	0CB385	54887C301	MEMBRANA ADESIVA	USER BOARD STICKER	L, P
150	0CB353	54887C600	MEMBRANA ADESIVA	USER BOARD STICKER	Q, U
150	0CB354	54887C700	MEMBRANA ADESIVA	USER BOARD STICKER	R, V
150	0CB355	54887C800	MEMBRANA ADESIVA	USER BOARD STICKER	S, W
150	0CB386	54887CA00	MEMBRANA ADESIVA	USER BOARD STICKER	T, X
155	002670	548836902	PROLUNGA PULSANTE	EXTENSION, SWITCH	
160	0C1812	516865600	DISTANZIALE TRA SCHEDE	SPACER BETWEEN BOARDS	
165	0CB345	675860V02	SCHEDA MADRE (PREC10)	MOTHER BOARD	
170	0C6364	675860400	SCHEDA INTERFACCIA	USER INTERFACE	
171	0C6381	699802A00	CAVO COMUNICAZIONE SCHEDE	FLAT CABLE	Connecting mother board (165) and relé board (175)
175	0C6380	675851703	SCHEDA ESPANSIONE RELE'	RELE' BOARD	C,D,G,H,K,L,O,P,S,T,W,X
176	0C6382	699802800	CAVO COMUNICAZIONE SCHEDE	FLAT CABLE	C,D,G,H,K,L,O,P,S,T,W,X Connecting mother board (165) and user interface (170)
180	0C1813	546813800	RONDELLA SCHEDA	WASHER, BOARD	10PCS PER PNC
185	006609	675837201	SONDA NTC	NTC PROBE	
186	059295	514874500	RACCORDO DADO	CONNECTION NUT	
187	059293	543815000	GUARNIZIONE OR SONDA OLIO	OR , OIL PROBE	
188	0CBAOM	051589DG00	ADATTATORE BULBO	BULB ADAPTER	See TB PDX2022_01
190	*	50489V901	PROTEZIONE SCHEDA	PROTECTION, MAIN BOARD	
195	050180	246520500	PASSACAVO DIA.23	CABLE LEAD DIA.23	
200	0CBCIN	682800900	VENTILATORE	MOTORVENTILATOR	
205	*	831840800	GRIGLIA METALLICA VENT.	GRID, MOTORVENTILATOR	
210	058613	A05714000	MORSETTIERA	TERMINAL BOARD	
215	*	806824600	PROTEZIONE CAVO ALIMENTAZIONE	CABLE PROTECTION PIPE	C, D, G, H, K, L, O, P, S, T, W, X
220	0CB239	646817N00	TERMOSTATO DI SICUREZZA	SAFETY THERMOSTAT	
225	049303	694605400	FILTRO TRIFASE	FILTER	

FRIGGITRICI ELETTRICHE ELETTRONICHE 23L E900XP
ELECTRIC ELECTRONIC FRYERS 23L E900XP

Pos	Spare Code	Factory Code	Descrizione	Description	Ref./Notes
226	0CB477	694400U00	FILTRO RFI MONOFASE	SINGLE FASE R.I.FILTER	
229	006879	648807400	CONTATTORE	CONTACTOR	18A
230	007080	648807700	CONTATTORE	CONTACTOR	30A
235	*	652400A00	PORTAFUSIBILE	FUSE CARRIER	5X20MM
235	*	652400B00	PORTAFUSIBILE	FUSE CARRIER	5X20MM
236	0CB376	655800401	BUZZER 12V	BUZZER 12V	
240	0C1480	652803300	FUSIBILE 6,3A	6,3A FUSE	
245	006159	624805601	TRASFORMATORE	TRANSFORMER	B, C, D, F, G, H, J, K, L, N, O, P, R, S, T, V, W, X
249		50489VA00	SCATOLA IMPIANTO EL	EL BOX	
250	006147	675830800	PONTE RADDRIZZATORE	DIODE BRIDGE	B, C, D, F, G, H, J, K, L, N, O, P, R, S, T, V, W, X
255	006610	648806900	RELE' SOLLEVATORI	RELAY LIFTERS	B, C, D, F, G, H, J, K, L, N, O, P, R, S, T, V, W, X
260	*	50489V000	PANNELLO FRONTALE "V"	FRONTAL PANEL "V"	
265	006158	617821806	RESISTENZA 9Kw 400V	HEATING ELEMENT 9kW 400V	A, B, C, D, I, J, K, L, Q, R, S, T
265	0CB356	61783AK01	RESISTENZA 9kW 440V	HEATING ELEMENT 9kW 440V	E,F,G,H,M,N,O,P,U,V,W,X
266	*	50589KR00	SUPPORTO FASCIA, RESISTENZA	STRAPPER H.ELEMENT	
270	*	50489V100	SUPPORTO SUPERIORE RESISTENZE	UPPER SUPPORT, HEAT.ELEMENT	
275	0CB358	80589DL01	CONDUTTURA CARICO OLIO	INLET PIPE, OIL	B, C, D, F, G, H, J, K, L, N, O, P, R, S, T, V, W, X
280	0C1684	516849000	DADO	NUT	B, C, D, F, G, H, J, K, L, N, O, P, R, S, T, V, W, X
285	0C1686	508891200	RONDELLA	WASHER	B, C, D, F, G, H, J, K, L, N, O, P, R, S, T, V, W, X
290	0C3659	516865900	RONDELLA	WASHER	B, C, D, F, G, H, J, K, L, N, O, P, R, S, T, V, W, X
295	0CB357	83089M601	CONDUTTURA ASPIRAZIONE OLIO	OIL SUCTION PIPE	B, C, D, F, G, H, J, K, L, N, O, P, R, S, T, V, W, X up to 2021/12
295	0CC005	83089M602	CONDUTTURA ASPIRAZIONE OLIO	OIL SUCTION PIPE	B, C, D, F, G, H, J, K, L, N, O, P, R, S, T, V, W, X from 2021/13
300	006964	514879601	RACCORDO	NIPPLE	B, C, D, F, G, H, J, K, L, N, O, P, R, S, T, V, W, X
305	0CB359	516874402	OGIVA	BICONICAL RING	B, C, D, F, G, H, J, K, L, N, O, P, R, S, T, V, W, X
310	006146	686800004	POMPA CARICO OLIO	PUMP, OIL CIRCULATION	B, C, D, F, G, H, J, K, L, N, O, P, R, S, T, V, W, X
320	*	50489VB01	CHIUSURA POMPA	PANEL, PUMP	Up to 2021/12
320	0CC003	50489VB02	CHIUSURA POMPA	PANEL, PUMP	From 2021/13
325	*	50589JY00	PROTEZIONE CARICO	TUBE PROTECTION	B, C, D, F, G, H, J, K, L, N, O, P, R, S, T, V, W, X up to 2021/12
325	0CC004	50589JY02	PROTEZIONE CARICO	TUBE PROTECTION	B, C, D, F, G, H, J, K, L, N, O, P, R, S, T, V, W, X from 2021/13
330	0CB363	219812K01	PERNO CON TESTA Ø 5,9	PIN Ø 5,9	C, D, G, H, K, L, O, P, S, T, W, X

FRIGGITRICI ELETTRICHE ELETTRONICHE 23L E900XP
ELECTRIC ELECTRONIC FRYERS 23L E900XP

Pos	Spare Code	Factory Code	Descrizione	Description	Ref./Notes
335	0CB364	219812J00	COPIGLIA DI SICUREZZA 23mm	COTTER PIN 23mm	C, D, G, H, K, L, O, P, S, T, W, X
340	0CB242	611809G00	ATTUATORE PER SOLLEVAMENTO DX	RIGHT MOTOR ELEVATOR	C, D, G, H, K, L, O, P, S, T, W, X
345	0CB241	611809F00	ATTUATORE PER SOLLEVAMENTO SX	LEFT MOTOR ELEVATOR	C, D, G, H, K, L, O, P, S, T, W, X
350	0CB387	51489FC00	BOCCOLA PER SOLLEVATORI	BUSH, LIFT ROD	C, D, G, H, K, L, O, P, S, T, W, X
360	0C5086	518817300	BOCCOLA FISS.SUPPORTI	BUSH, LIFT ROD	C, D, G, H, K, L, O, P, S, T, W, X
365	0CB388	51489FB01	ASTA SOLLEVAMENTO	ROD, LIFT BASKET	C, D, G, H, K, L, O, P, S, T, W, X
370	0C7198	83089FF01	SUPPORTO DX CESTELLI	RIGHT SUPPORT BASKET	C, D, G, H, K, L, O, P, S, T, W, X
375	0C7199	83089FG01	SUPPORTO SX CESTELLI	LEFT SUPPORT BASKET	C, D, G, H, K, L, O, P, S, T, W, X
380	0CB365	51689AJ01	SUPPORTO DESTRO	RIGHT SUPPORT	C, D, G, H, K, L, O, P, S, T, W, X
385	0CB366	51689AH01	SUPPORTO SINISTRO	LEFT SUPPORT	C, D, G, H, K, L, O, P, S, T, W, X
390	0C1027	516866500	BARRA SUPPORTO CESTELLI	ROD, BASKET SUPPORT	C, D, G, H, K, L, O, P, S, T, W, X
395	0C1028	516849400	RUOTA GUIDA ASTA SOLL.	WHEEL, ROD LIFTER	C, D, G, H, K, L, O, P, S, T, W, X
400	067004	219001015	ANELLO SEEGER	SEEGER RING	C, D, G, H, K, L, O, P, S, T, W, X
*		921023	FILTRO SEDIMENTI FONDO	SEDIMENT FILTER	
*		960645	DEFLETTORI FARINA	DEFLECTORS, FLOUR	
*	0CB466	200087	TUBO POMPA SCARICO OLIO	PIPE DRAIN PUMP OIL	
*		927227	TUBO OTTURAZIONI	UNCLOGGING ROD	